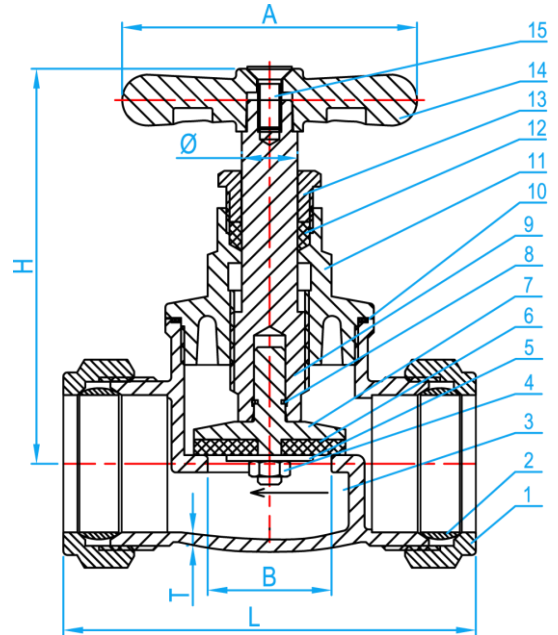
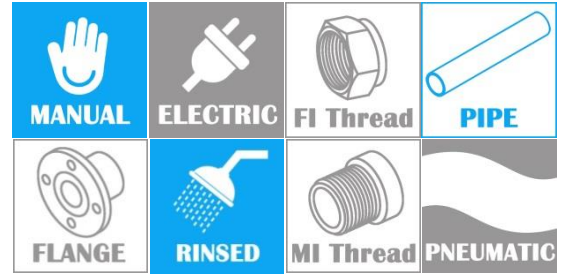


# BRONZE STOP COCK COMPRESSION END

COMPLY WITH SS75:PART 2:1978 (2012)  
AS/ NZS 4020:2005  
SS 375:2015  
BS 3457:1973  
BS EN 1982:2008  
BS EN 12165:2016



CROSS SECTIONAL VIEW

STANDARD SPECIFICATIONS

Nominal Pressure	1.6Mpa
Working Medium	Water
Working Temperature	- 20°~120°C

COMPONENT PARTS

ITEMS	PARTS	MATERIAL
1	Compression Nut	Brass
2	Compression Ring	Brass
3	Body	Bronze
4	Nut	AISI304
5	Washer Plate	AISI304
6	Valve Clack	EPDM
7	Valve Seat	DZR Brass
8	Bead Flange	AISI304
9	Stem	DZR Brass
10	Gasket	PTFE
11	Bonnet	DZR Brass
12	Gland Packing	Expanded Graphite
13	Gland Nut	Brass
14	Handle	Ductile Iron
15	Head Screw	Brass

DIMENSIONS

SKU	SIZE (mm)	A (mm)	B (mm)	T (mm)	L (mm)	Ø (mm)	H (mm)	WEIGHT (kg)	PCS/CTN
SCCRN035	35	75	31.5	3.2	108	14.2	101	1.176	16
SCCRN042	42	100	37.8	3.2	118	15.8	116	1.600	16
SCCRN050	50	110	50.4	3.2	142	17.4	135	2.676	8